

Meraki 7 dBi 2.4 GHz Omni Antenna (ANT-7DB-OM)

Datasheet



The Meraki High-Gain Omni-Directional Panel Antenna can help extend the range of a Meraki radio by refocusing the vertical signal to strengthen the horizontal signal.

➤ Electrical

- Antenna type: omni-directional
- Frequency range: 2.4 – 2.5 GHz
- Gain: 7 dBi
- Polarization: Vertical (linear)
- Half power bandwidth / horizontal: 360°
- Half power bandwidth / vertical: 20°

➤ Physical and Environmental

- Dimensions: 0.56" x 10.6" x 0.56" (15 mm x 270 mm x 15 mm)
- Weight: 0.1 lbs (45 g)
- Material: ABS plastic
- Temperature: 14° F – 131° F (-10° C – 55° C)
- Connector: RP-SMA

➤ Included Hardware

- Antenna only

➤ Mounting

- Directly to unit (no cable required)

➤ Warranty

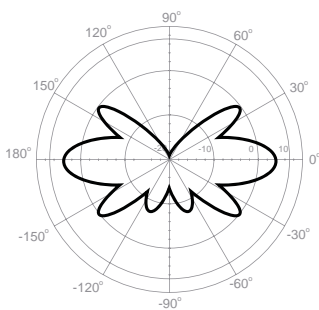
- 1 year hardware warranty included

➤ Regulatory

- Certified for use with the Meraki Outdoor and Meraki Solar
- USA (FCC)
- EU (CE)

➤ Signal Coverage Pattern

Vertical



Horizontal

